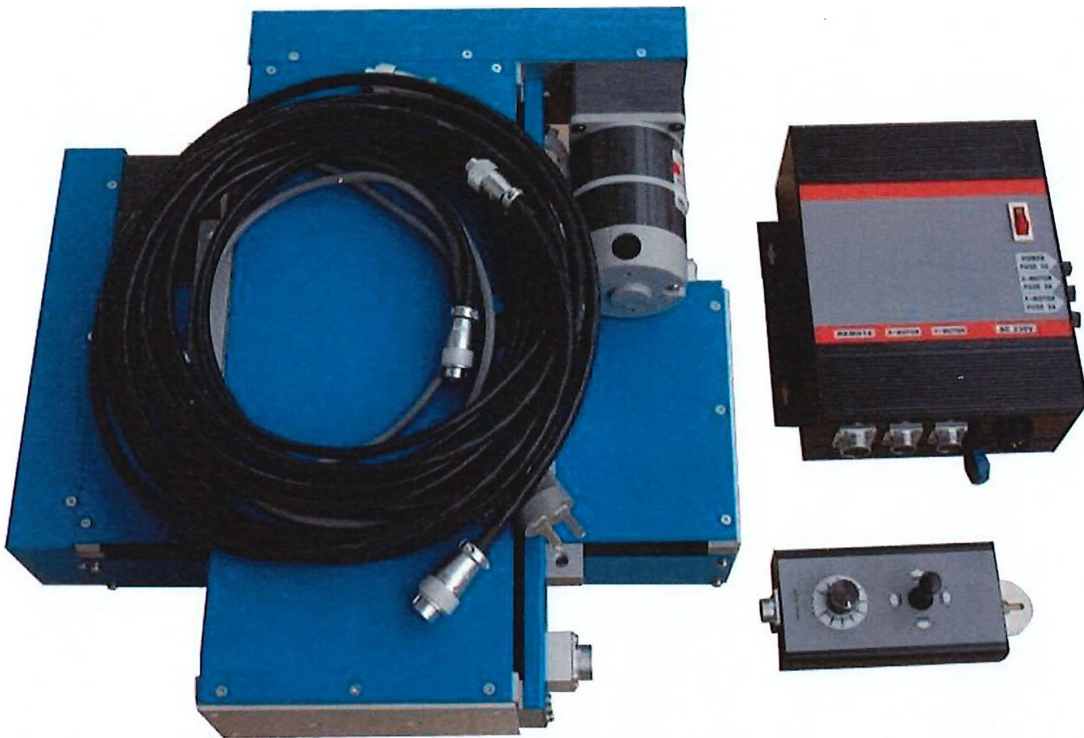




Independent Wholesale Welding Supply
www.iwws.net

ELECTRIC SLIDES MANUAL

MODEL: AFMCS88

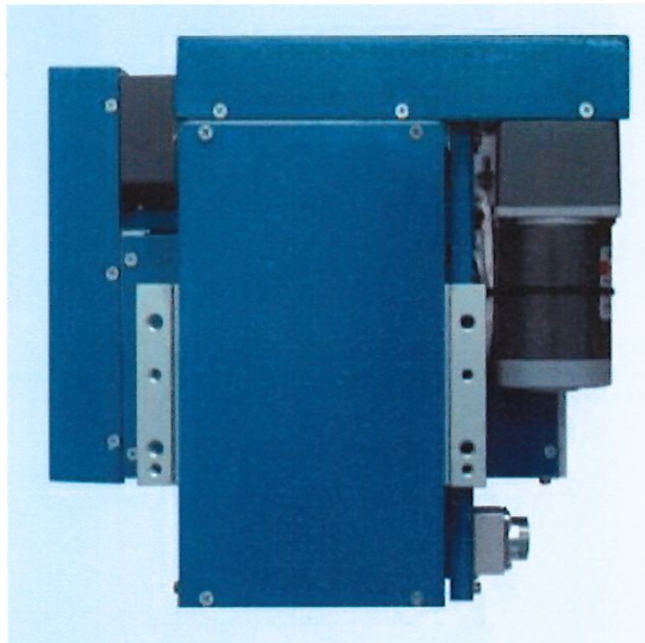


I. Overview:

ED-SC Electric cross slides consists of the Cross, the control box, remote controller and so on. Variable speed control can achieve fine-tuned and rapid movement. And which has high precision, responsive, lightweight, and beautiful appearance.

II. Structure:

a. Cross slides

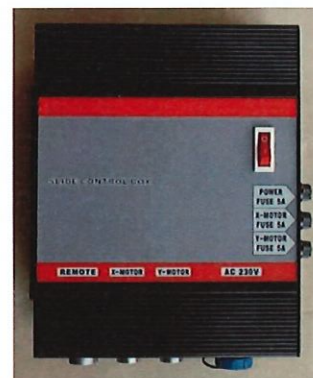


Body parts with aluminum alloy block, light weight, strength, aesthetic appearance; DC motor driven by imports, high-precision linear ball bearing and ball screw drive, smooth operation, high accuracy; ends with travel limit to prevent collision damage.

b. Control box

Control box enclosure made of aluminum alloy material, with the same total amount of light, shape and beautiful features.

Input Power AC 220V, universal good;
Internal constant voltage output DC 24V, pulse

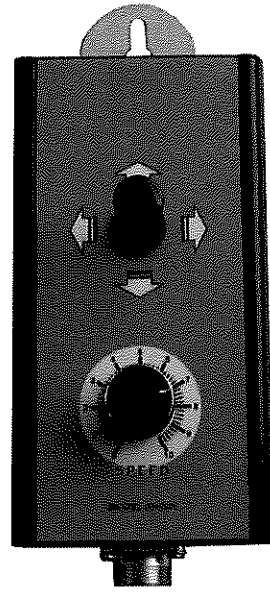


width governor realized by the variable speed motor and can maintain better low-speed torque output to ensure that the operation stable.

c. Remote controller

Remote control is used in aluminum alloy, light weight, beautiful appearance, feels good.

Remote control lever for the rocker type, the use of more convenient and intuitive, easy real-time knob variable speed control.

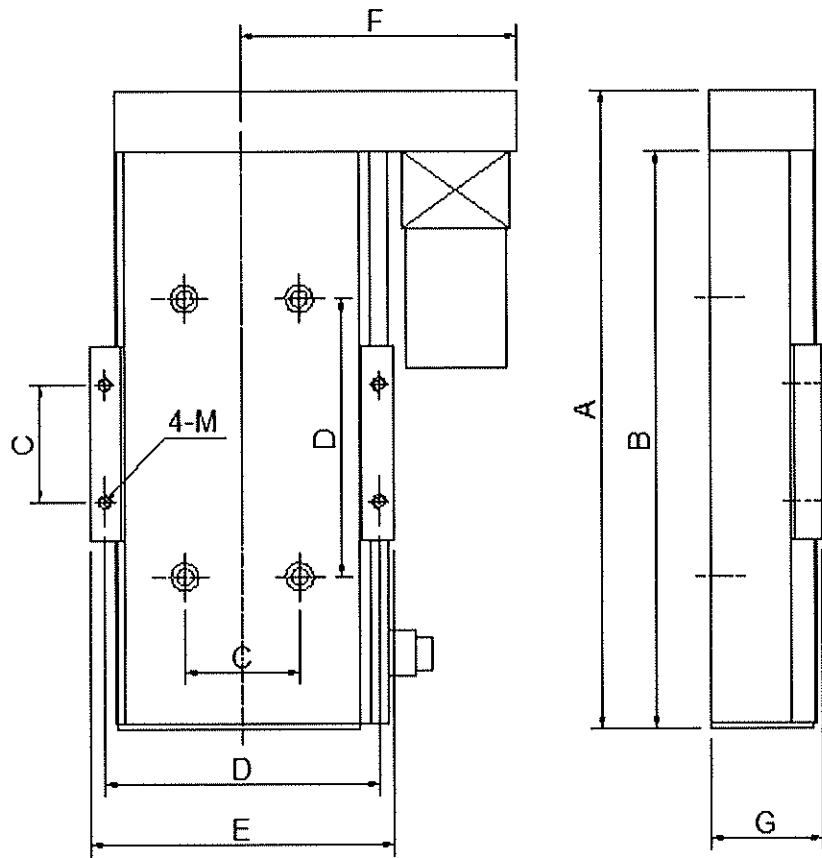


III. Main technical parameters:

	Parameters			
Model	ED-SC05	ED-SC10	ED-SC20	ED-SC30
Loading	25KG	50KG	100KG	50KG
Stroke	100MM×100MM	200MM×200MM		300*300MM
Speed	0~250MM/MIN		0~200MM/MIN	0~250MM/MIN
Input power	AC220V、50/60Hz			AC220V、50/60Hz
Drive motor	DC24V、15W	DC24V、20W	DC24V、40W、	DC24V、20W

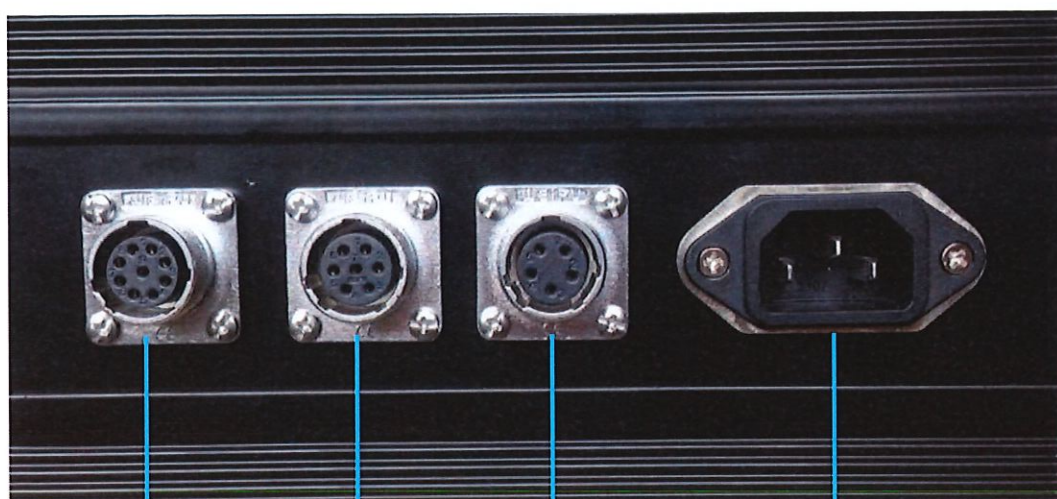
NOTE: “*” FOR CUSTOM SLIDE

IV. Outline and installation size



Model	A	B	C	D	E	F	G	M
ED-SC05	278	238	60	150	168	152	65	M8
ED-SC10	414	374	76	180	200	178	75	M10
ED-SC20	489	444	164	210	234	205	85	M10
ED-SC30	514	474	76	180	200	178	75	M10

V. Port Description



①

②

③

④

①Remote Control Port

②X-Slide Port

③Y-Slide Port

④AC220V Power Input Port

VI. Electric Schematic

