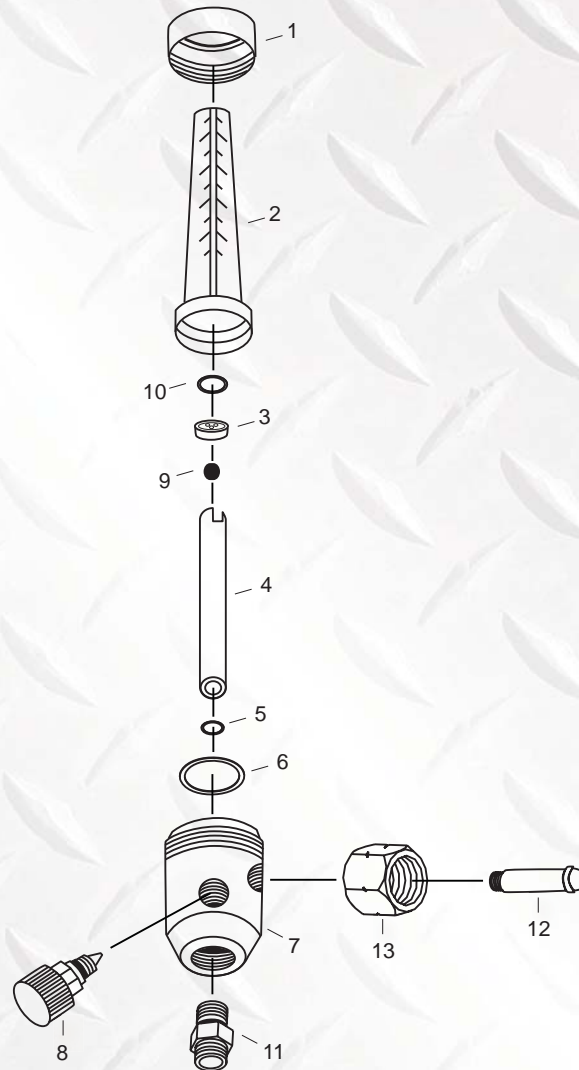


GAS EQUIPMENT

195FM 195FM25 FLOWMETER 15 & 25 LPM



Part No	Description
1 R195-67	BUSHING
2 R195-66A	FLOWMETER HOOD (15 LPM)
3 R195-73	WASHER
4 R195-62A	TUBE (15 LPM)
5 R195-61	O'RING
6 R195-60	O'RING
7 R195-59B	FLOWMETER BODY

Part No	Description
8 R195-93	NEED VALVE ASSEMBLY
9 T110-30	BALL FOR FLOWMETER
10 Y4903	O'RING FLOWMETER
11 R120-51	OUTLET CONNECTION
12 R195-53A	FLOWMETER NIPPLE
13 NBU2018R	FLOWMETER NUT
Y3902	REGULATOR LENS CAP



INDEPENDENT WHOLESALE WELDING SUPPLY

Ph: 02 8834 2400 Fax: 02 8834 2498 Email: iwws@iwws.net Website: www.iwws.net