

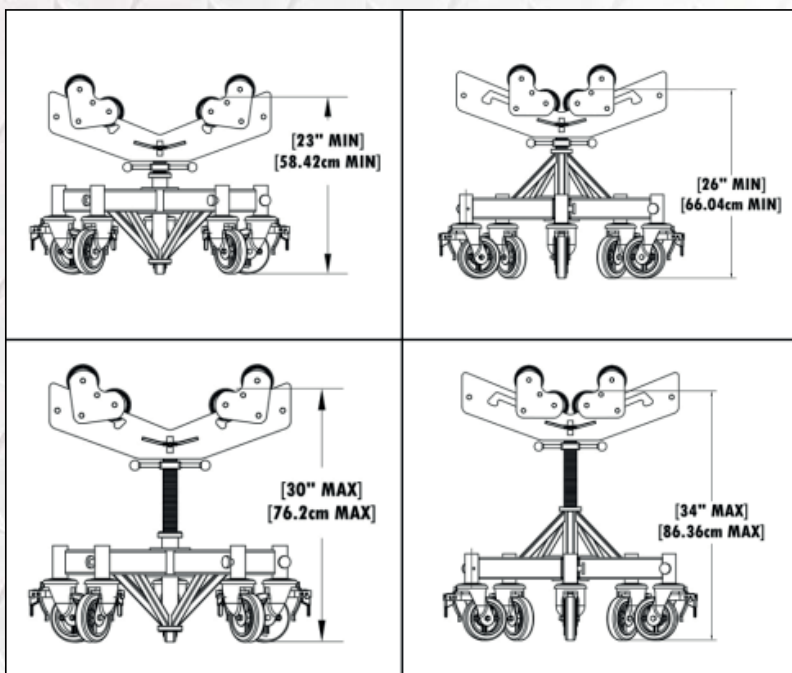
# SUMNER

## MAX JAX 2

- 2045 kg Load capacity
- 106 - 914 mm Pipe capacity
- Base reversible for 584 - 914 mm heights
- Drop slot roller wheel head offers more wheel contact with pipe
- Roll pipe through fab shop



*Pictured with optional roller wheels (781381)*



Specifications	
Base Width	953 mm
Max Height	914 mm
Min Height	585 mm
Load Capacity	2045 kg
Pipe Capacity	100 - 900 mm
Max Jax 2 with Drop Slot Rollerhead Weight	57.7 kg
Max Jax 2 with Vee Head Weight	48.3 kg
Thread Shaft Adjustment	178 mm

Part Number	Description
786450	Max Jax 2 with Vee Head
786451	Max Jax 2 with Roller Head

*Max Jax 2 786451 comes complete with head, dropslot and 4 roller wheels.*

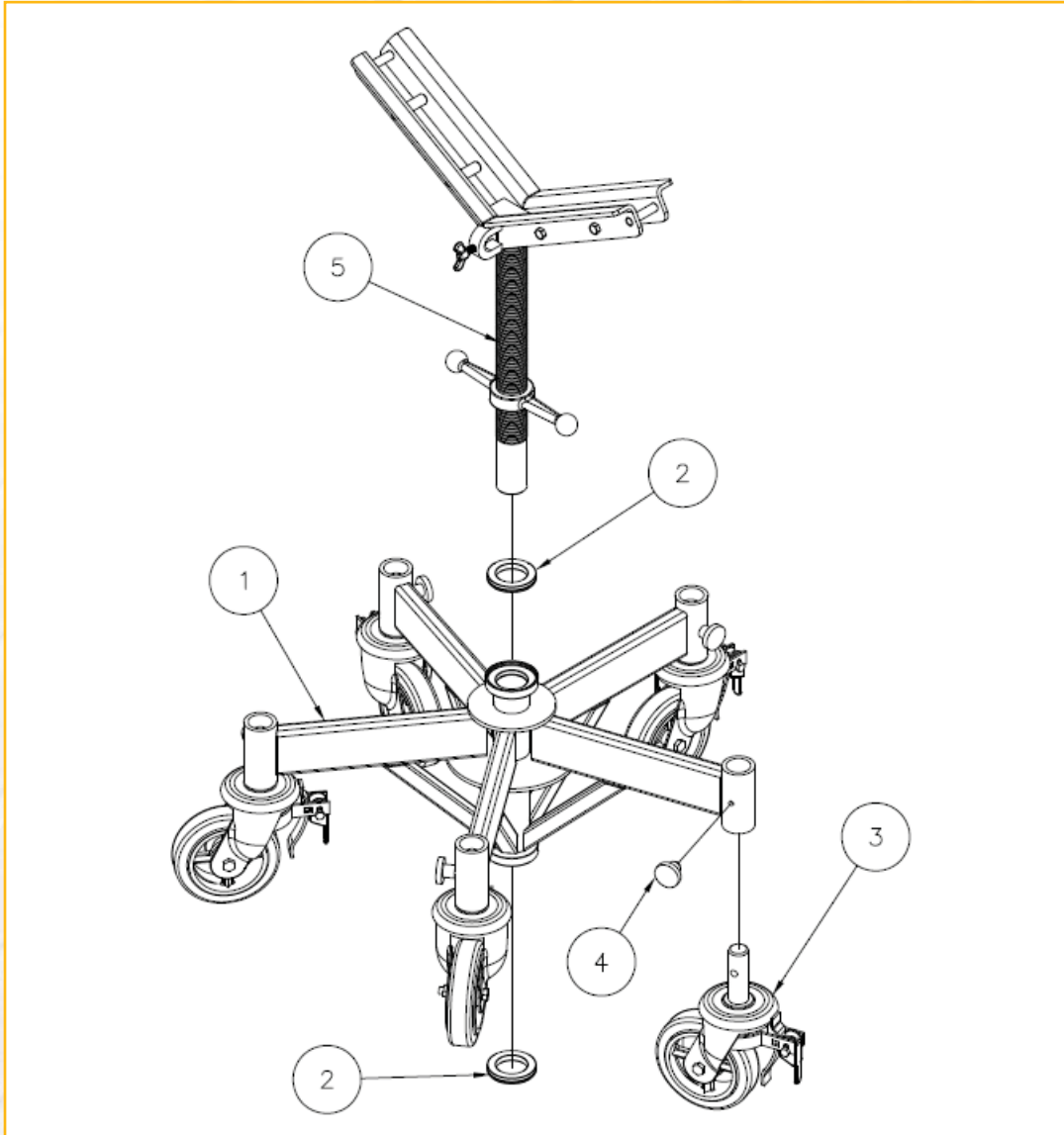


INDEPENDENT WHOLESALE WELDING SUPPLY

Ph: 02 8834 2400 Fax: 02 8834 2498 Email: iwws@iwws.net Website: www.iwws.net

# SUMNER

## MAX JAX 2 PARTS



	Part No	Description
1	786455	Max Jax 2 - Base Weldment
2	781425	Thrust Washer
3	779048	Caster, 6" (152.4 mm) Swivel - Max Jax 2
4	786459	Set Screw Assembly, Max Jax 2
5	781417	Big Vee HD Assembly W/Spanner Nut Max Jax 2



INDEPENDENT WHOLESALE WELDING SUPPLY

Ph: 02 8834 2400 Fax: 02 8834 2498 Email: iwws@iwws.net Website: www.iwws.net