

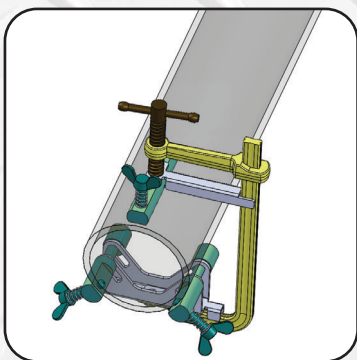
PIPE FIT-UP CLAMP

A compact, lightweight, portable clamp for the quick fit-up of round pipes and flanges for butt welding. 50-75% lighter than traditional alignment clamp. Easy to use design for the rapid, repeated loading and unloading of work pieces.

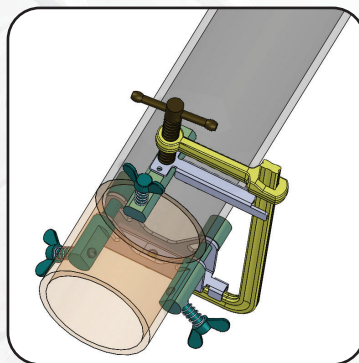


Part No.	Pipe Diameter Capacity (mm)	Overall Length (cm)	Weight (kgs)
AFQPC50	50-100	24	1.27
AFQPC100	100-140	30.5	2.13

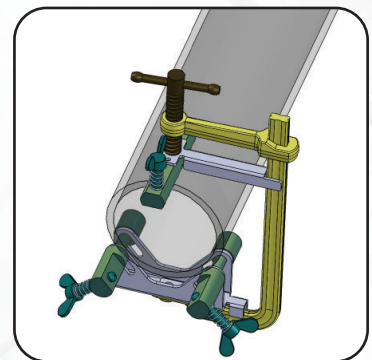
Pre-set clamp opening for fast setup



Turn three adjustment screws to preset.



Loosen the main clamp arm.



Tighten the main clamp arm.

