

PART NUMBERS	DESCRIPTION	MIN QTY
--------------	-------------	---------

O'RINGS

SERIES 41

98W77	BACK CAP O'RING	10
-------	-----------------	----



SERIES 57

98W18	BACK CAP O'RING (1)	10
S-008	VALVE STEM O'RING (2)	10



METAL NOZZLE ADAPTOR

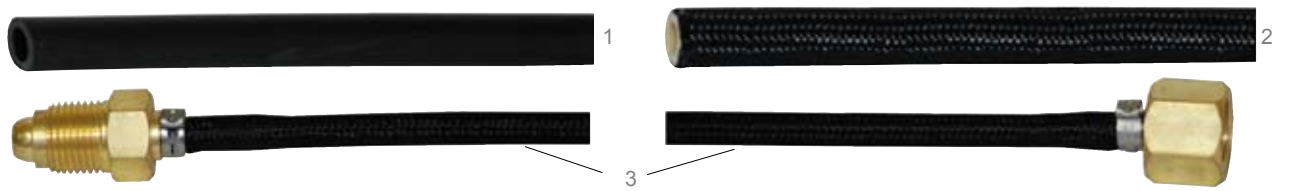
SERIES 27

57N56	METAL NOZZLE ADAPTOR (TEFLON GASKET)	1
-------	--------------------------------------	---



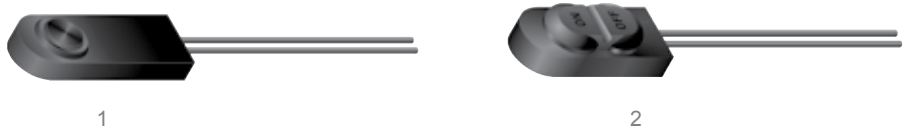
HOSE & TUBING

BVT-1	VINYL TUBING - 3.2 MM ID / 5.6 MM OD (1)	1 MT
BVT-2	VINYL TUBING - 3.2 MM ID / 8.0 MM OD (1)	1 MT
BVT-3	VINYL TUBING - 4.8 MM ID / 7.5 MM OD (1)	1 MT
BRT-1	BRAIDED RUBBER TUBING - 3.2 MM ID (2)	1 MT
HK-1	GAS LEAD TO SUIT 2310-1879 (3)	1



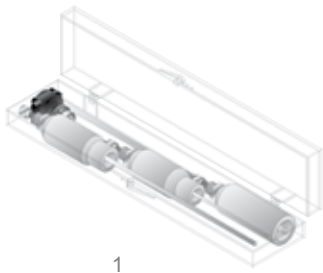
SWITCHES & SWITCH LEAD KITS

715750	2 CORE SHIELDED CABLE	1 MT
USL12	UNIVERSAL SWITCH LEAD KIT 12.5 FT	1
USL25	UNIVERSAL SWITCH LEAD KIT 25 FT	1
SW-1F	FLAT SWITCH - MOMENTARY (1)	1
SW-1J	FLAT SWITCH - JOYSTICK	1
SW-2	FLAT SWITCH - ON/OFF (2)	1



PART NUMBERS	DESCRIPTION	MIN QTY
ACCESSORY KITS		
AK-1	SUITS 9 SERIES TORCH (1)	1
AK-2	SUITS 17 SERIES TORCH (1)	1
AK-3	SUITS 18 & 26 SERIES TORCHES (1)	1
AK-4	SUITS 20 SERIES TORCH (1)	1
AK-5	SUITS 24 SERIES TORCH (1)	1
MAK-1	PARTS BOX ONLY (2)	1
MAK-2	PARTS BOX ONLY (3)	1

AK-1 - FOR 9 SERIES TORCH		AK-3 - FOR 18 & 26 SERIES TORCH		AK-2 - FOR 17 SERIES TORCH	
QTY	DESCRIPTION	QTY	DESCRIPTION	QTY	DESCRIPTION
1	LONG BACK CAP	1	SHORT BACK CAP	1	SHORT BACK CAP
2	COLLETS .040 & 1/16"	3	COLLETS 1/16", 3/32", 1/8"	3	COLLETS .040, 1/16", 3/32"
2	COLLET BODIES .040 & 1/16"	3	COLLET BODIES 1/16", 3/32", 1/8"	3	COLLET BODIES .040, 1/16", 3/32"
3	ALUMINA CUPS #4, 5, 6	3	ALUMINA CUP #5, 6, 8	3	ALUMINA CUPS #5, 6, 7
2	TUNGSTEN ELECTRODES .040 & 1/16"	3	TUNGSTEN ELECTRODES 1/16", 3/32", 1/8"	3	TUNGSTEN ELECTRODES .040, 1/16", 3/32"



1



2



3

CABLE COVERS

LEATHER

TM410V	4" x 10 FT - VELCRO	1
TM410Z	4" x 10 FT - ZIPPER	1
TM422V	4" x 22 FT - VELCRO	1
TM422Z	4" x 22 FT - ZIPPER	1
TM850V	8" x 50 FT - VELCRO	1
TCL-3-10	3" x 10 FT - SOFT LEATHER	1
TCL-3-22	3" x 22 FT - SOFT LEATHER	1



NYLON

PX-3-10	3" x 10 FT - ZIPPER (1)	1
PX-3-22	3" x 22 FT - ZIPPER (1)	1
PX-3-10V	3" x 10 FT - VELCRO (2)	1
PX-3-22V	3" x 22 FT - VELCRO (2)	1
PX-4-10	4" x 10 FT - ZIPPER (1)	1
PX-4-22	4" x 22 FT - ZIPPER (1)	1
PX-4-10V	4" x 10 FT - VELCRO (2)	1
PX-4-22V	4" x 22 FT - VELCRO (2)	1



1



2



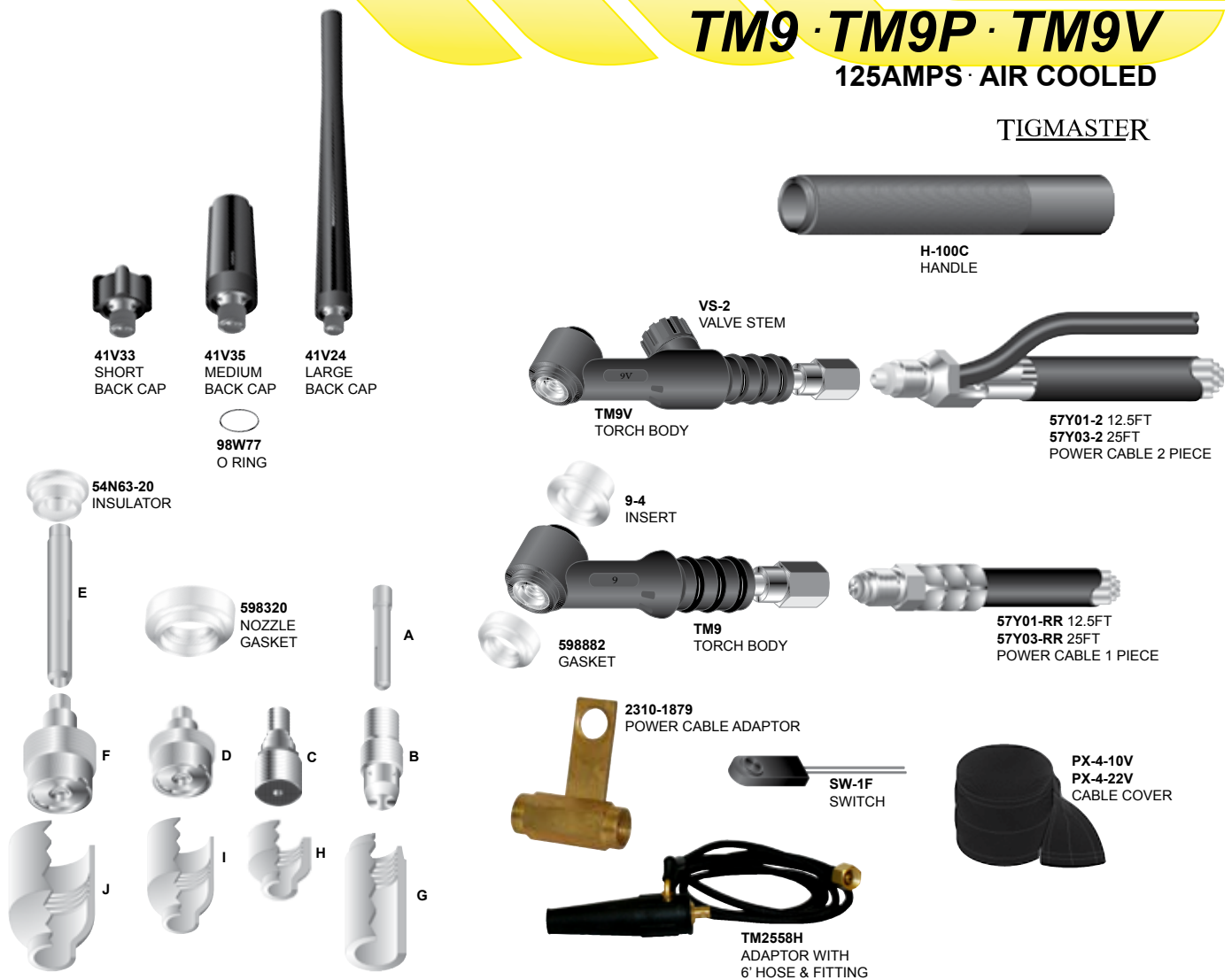
INDEPENDENT WHOLESALE WELDING SUPPLY

Ph - 02 9838 9866 F - 02 9838 9917 E - iwws@iwws.net Web - www.iwws.net

TM9 · TM9P · TM9V

125AMPS · AIR COOLED

TIGMASTER



COLLETS & GAS LENS

	ELECTRODE DIAMETER	.020 0.5MM	.040 1.0MM	1/16 1.6MM	3/32 2.4MM	1/8 3.2MM	-	-	-	-
A	COLLET	13N20	13N21	13N22	13N23	13N24	-	-	-	-
B	COLLET BODY	13N25	13N26	13N27	13N28	13N29	-	-	-	-
C	GAS LENS	45V41	45V42	45V43	45V44	45V45	-	-	-	-
D	MEDIUM GAS LENS	-	-	45V35SW	45V36SW	45V37SW	-	-	-	-
E	LARGE DIA GAS LENS	13N20L	13N21L	13N22L	13N23L	13N24L	-	-	-	-
F	LARGE DIA LENS COLLET	45V0204S		45V116S	45V64S	995795S	-	-	-	-

GAS NOZZLES & GAS LENS NOZZLES

	SIZE	3 4MM	4 6MM	5 8MM	6 10MM	7 11MM	8 12.5MM	10 16MM	11 17MM	12 19MM
H	ALUMINA STD	-	13N08	13N09	13N10	13N11	13N12	13N13	-	-
	ALUMINA LONG	-	53N58	53N59	53N60	53N61	53N61S	-	-	-
I	ALUMINA GAS LENS	-	-	-	54N16SW	54N15SW	54N14SW	54N12SW	54N19	-
J	MEDIUM ALUMINA GAS LENS	-	-	-	57N75	-	57N74	53N88	-	53N87
	LONG 1 7/8"	796F70	796F71	796F72	796F73	-	-	-	-	-
	EX LONG 2 1/2"	796F74	796F75	796F76	796F77	-	-	-	-	-



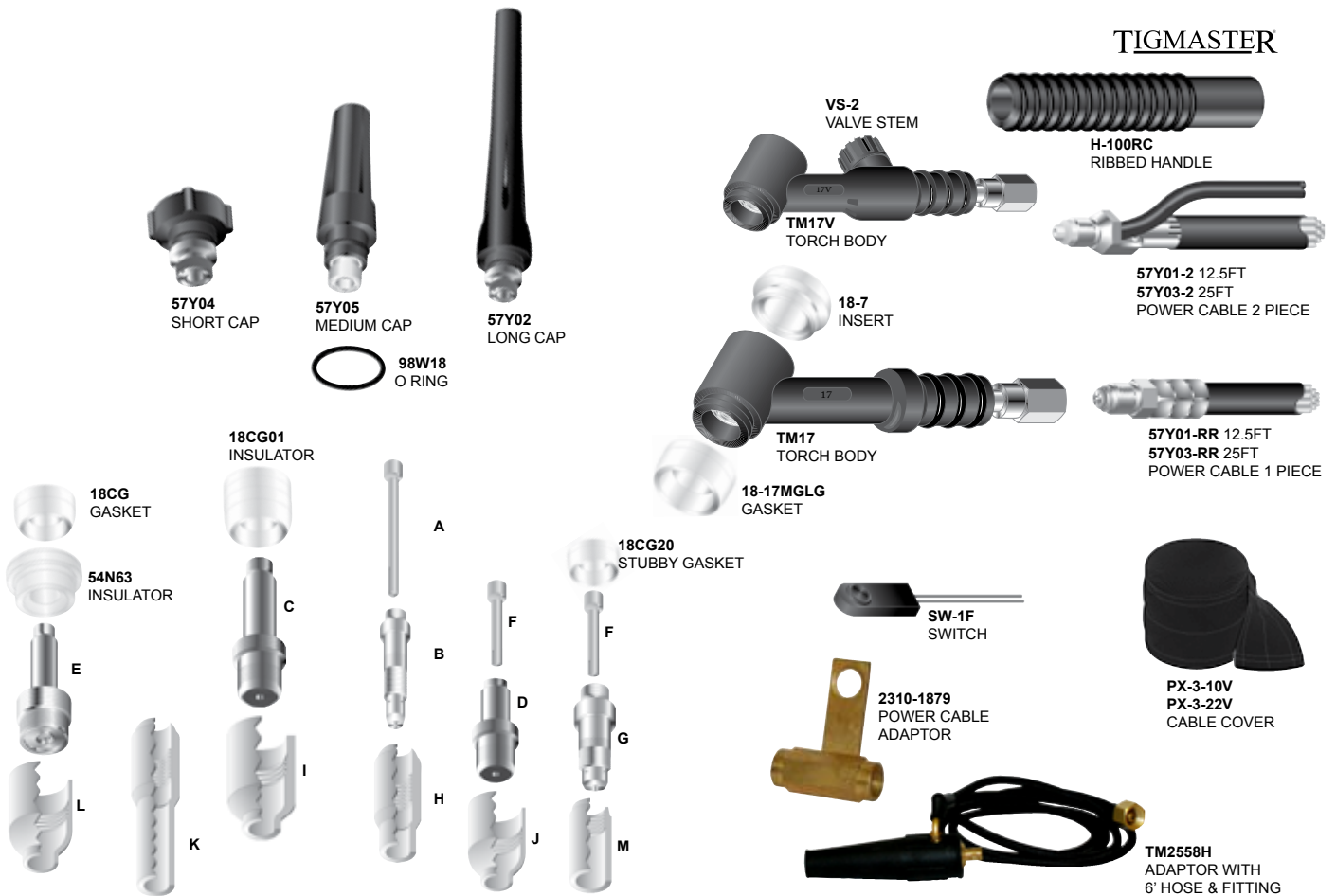
INDEPENDENT WHOLESALE WELDING SUPPLY

Ph - 02 9838 9866 F - 02 9838 9917 E - iwws@iwws.net Web - www.iwws.net

TM17 · TM17V

150AMPS · AIR COOLED

TIGMASTER



COLLETS & GAS LENS

	ELECTRODE DIAMETER	.020 0.5MM	.040 1.0MM	1/16 1.6MM	3/32 2.4MM	1/8 3.2MM	5/32 4.0MM	-	-
A	COLLET	10N21	10N22	10N23	10N24	10N25	54N20	-	-
B	COLLET BODY	10N29	10N30	10N31	10N32	10N28	406488	-	-
C	GAS LENS	45V29	45V24	45V25	45V26	45V27	45V28	-	-
D	MEDIUM GAS LENS	-	-	45V25S	45V26S	45V27S	45V28S	-	-
E	LARGE DIA GAS LENS	45V0204	45V0204	45V116	45V64	995795	45V63	-	-
F	STUBBY COLLET	10N21S	10N22S	10N23S	10N24S	10N25S	-	-	-
G	STUBBY COLLET BODY	-	-	17CB20	-	-	-	-	-

GAS NOZZLES & GAS LENS NOZZLES

	SIZE	4 6MM	5 8MM	6 10MM	7 11MM	8 12.5MM	10 16MM	12 19MM	SHORT
H	ALUMINA STD	10N50	10N49	10N48	10N47	10N46	10N45	10N44	-
	ALUMINA LONG	-	10N49L	10N48L	10N47L	-	-	-	-
I	ALUMINA GAS LENS	54N18	54N17	54N16	54N15	54N14			54N19
J	MEDIUM ALUMINA GAS LENS	-	-	54N16SW	54N15SW	54N14SW	54N12SW	-	-
K	LONG ALUMINA GAS LENS	-	-	54N16L	54N15L	54N14L	-	-	-
L	ALUMINA LARGE DIA GAS LENS	-	-	-	57N75	57N74	53N88	53N87	53N89
M	ALUMINA NOZZLE	13N08	13N09	13N10	13N11	13N12	13N13	-	-

ACCESSORY KIT AK-2

WITH SHORT CAP, 3 COLLETS, 3 COLLET BODIES, 3 NOZZLES, 3 TUNGSTEN ELECTRODES



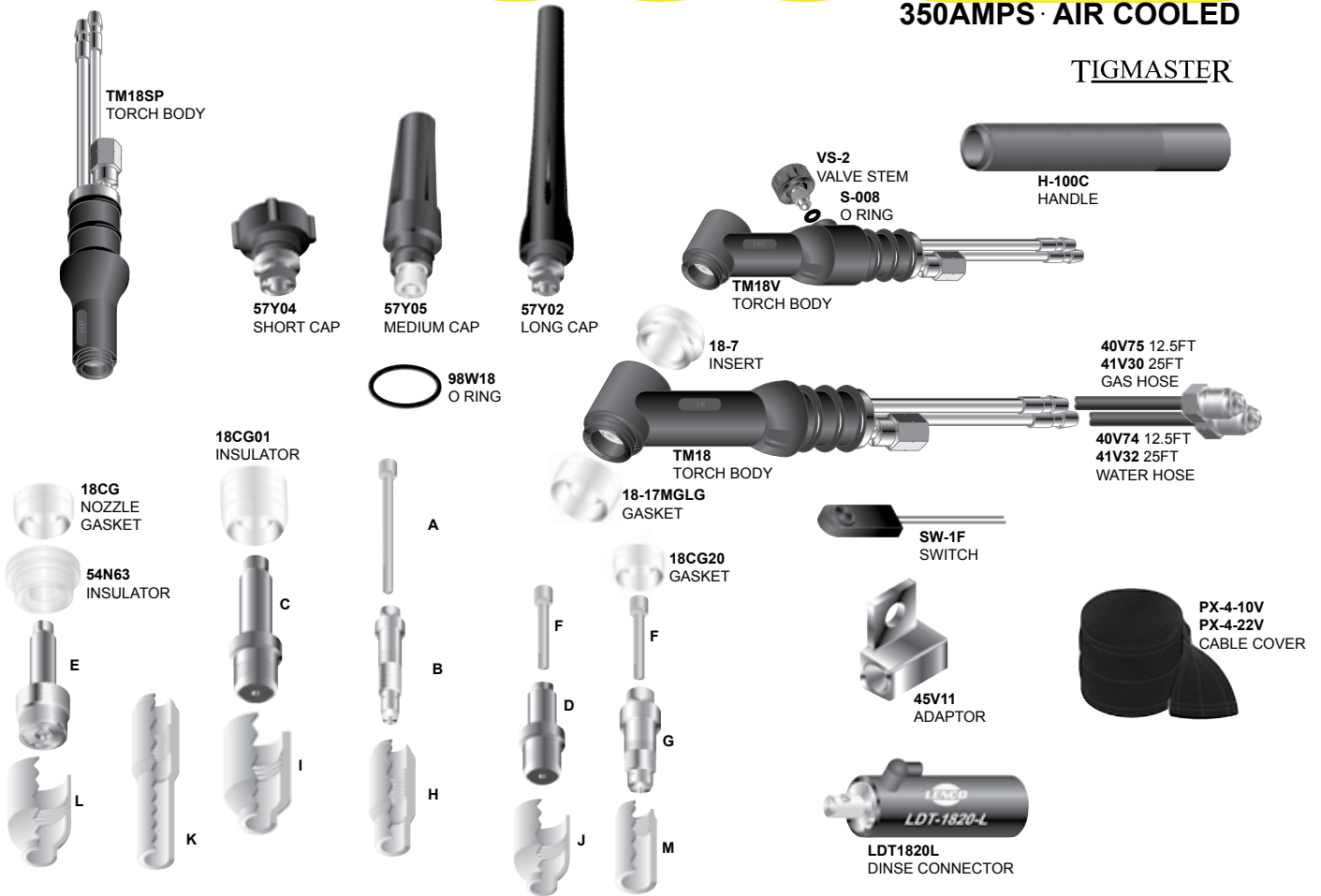
INDEPENDENT WHOLESALE WELDING SUPPLY

Ph - 02 9838 9866 F - 02 9838 9917 E - iwws@iwws.net Web - www.iwws.net

TM18 · TM18SP · TM18V

350AMPS · AIR COOLED

TIGMASTER



COLLETS & GAS LENS

	ELECTRODE DIAMETER	.020 0.5MM	.040 1.0MM	1/16 1.6MM	3/32 2.4MM	1/8 3.2MM	5/32 4.0MM	-	-
A	COLLET	10N21	10N22	10N23	10N24	10N25	54N20	-	-
B	COLLET BODY	10N29	10N30	10N31	10N32	10N28	406488	-	-
C	GAS LENS	45V29	45V24	45V25	45V26	45V27	45V28	-	-
D	MEDIUM GAS LENS	-	-	45V25S	45V26S	45V27S	45V28S	-	-
E	LARGE DIA GAS LENS	45V0204	45V0204	45V116	45V64	995795	45V63	-	-
F	STUBBY COLLET	10N21S	10N22S	10N23S	10N24S	10N25S	-	-	-
G	STUBBY COLLET BODY	-	-	17CB20	-	-	-	-	-

GAS NOZZLES & GAS LENS NOZZLES

	SIZE	4 6MM	5 8MM	6 10MM	7 11MM	8 12.5MM	10 16MM	12 19MM	SHORT
H	ALUMINA STD	10N50	10N49	10N48	10N47	10N46	10N45	10N44	-
	ALUMINA LONG	-	10N49L	10N48L	10N47L	-	-	-	-
I	ALUMINA GAS LENS	54N18	54N17	54N16	54N15	54N14	-	-	54N19
J	MEDIUM ALUMINA GAS LENS	-	-	54N16SW	54N15SW	54N14SW	54N12SW	-	-
K	LONG ALUMINA GAS LENS	-	-	54N16L	54N15L	54N14L	-	-	-
L	ALUMINA LARGE DIA GAS LENS	-	-	-	57N75	57N74	53N88	53N87	53N89
M	ALUMINA NOZZLE	13N08	13N09	13N10	13N11	13N12	13N13	-	-

ACCESSORY KIT AK-3

WITH SHORT CAP, 3 COLLETS, 3 COLLET BODIES, 3 NOZZLES, 3 TUNGSTEN ELECTRODES



INDEPENDENT WHOLESALE WELDING SUPPLY

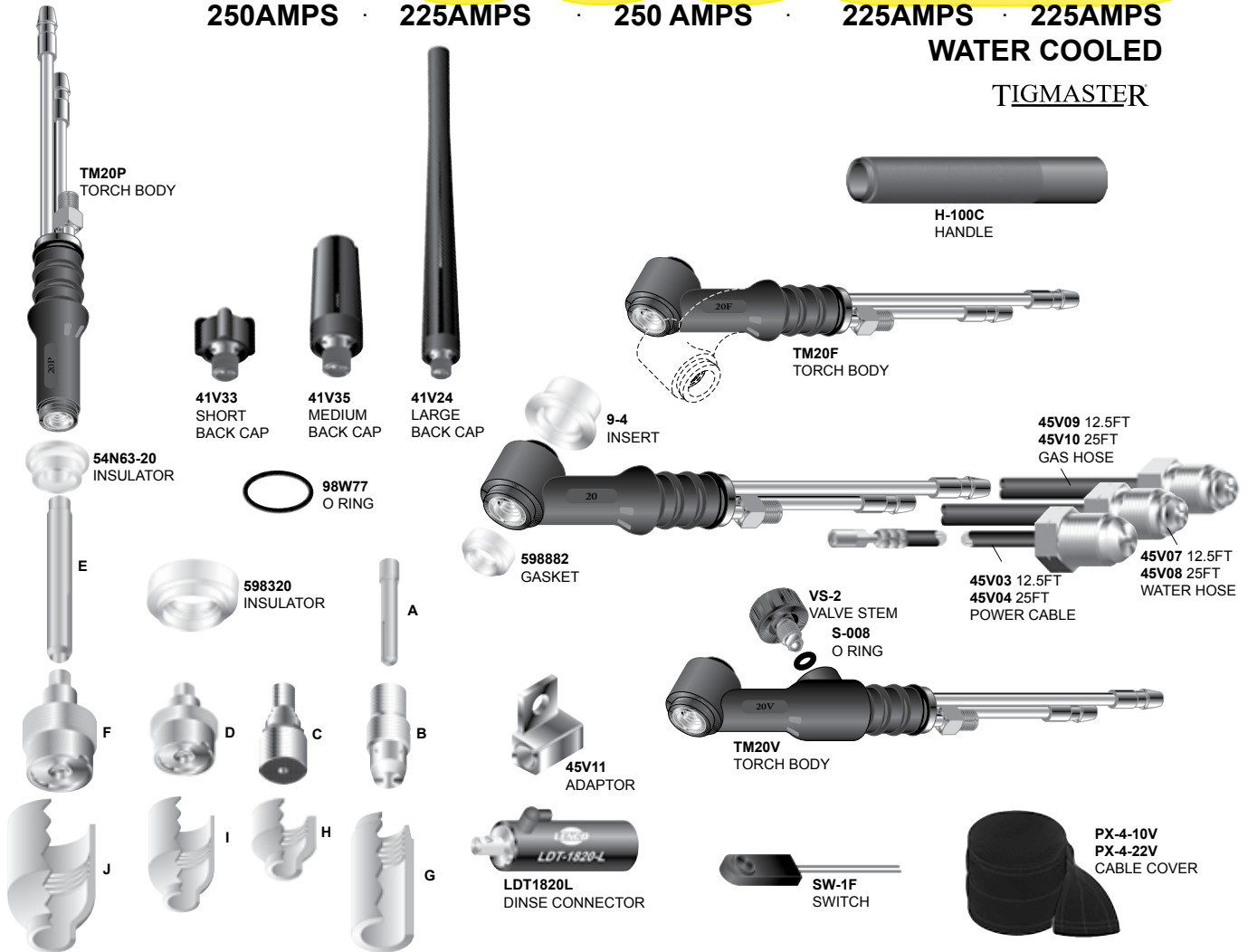
Ph - 02 9838 9866 F - 02 9838 9917 E - iwws@iwws.net Web - www.iwws.net

TM20 · TM20F · TM20V · TM20P · TM25

250AMPS · 225AMPS · 250 AMPS · 225AMPS · 225AMPS

WATER COOLED

TIGMASTER



COLLETS & GAS LENS

	ELECTRODE DIAMETER	.020 0.5MM	.040 1.0MM	1/16 1.6MM	3/32 2.4MM	1/8 3.2MM	-	-	-	-
A	COLLET	13N20	13N21	13N22	13N23	13N24	-	-	-	-
B	COLLET BODY	13N25	13N26	13N27	13N28	13N29	-	-	-	-
C	GAS LENS	45V41	45V42	45V43	45V44	45V45	-	-	-	-
D	MEDIUM GAS LENS	-	-	45V35SW	45V36SW	45V37SW	-	-	-	-
E	LARGE DIA GAS LENS COLLETS	13N20L	13N21L	13N22L	13N23L	13N24L	-	-	-	-
F	LARGE DIA GAS LENS	45V0204S	45V0204S	45V116S	45V64S	995795S	-	-	-	-

GAS NOZZLES & GAS LENS NOZZLES

	SIZE	3 4MM	4 6MM	5 8MM	6 10MM	7 11MM	8 12.5MM	10 16MM	11 17MM	12 19MM
G	ALUMINA STD	-	13N08	13N09	13N10	13N11	13N12	13N13	-	-
H	ALUMINA GAS LENS	-	53N58	53N59	53N60	53N61	53N61S	-	-	-
I	MEDIUM ALUMINA GAS LENS	-	-	-	54N16SW	54N15SW	54N14SW	54N12SW	54N19	-
J	LARGE ALUMINA GAS LENS	-	-	-	57N75	-	57N74	53N88	-	53N87
	LONG 1 7/8"	796F70	796F71	796F72	796F73	-	-	-	-	-
	EXTRA LONG 2 1/2"	796F74	796F75	796F76	796F77	-	-	-	-	-

ACCESSORY KIT AK-4

WITH LONG CAP, 3 COLLETS, 3 COLLET BODIES, 3 NOZZLES, 3 TUNGSTEN ELECTRODES



INDEPENDENT WHOLESALE WELDING SUPPLY

Ph - 02 9838 9866 F - 02 9838 9917 E - iwws@iwws.net Web - www.iwws.net