



# TIGMASTER<sup>®</sup>



## HIGH PERFORMANCE TIG WELDING TORCHES



### SPEED BUMP™ HANDLE

Fits the welder's hand like a fine instrument.  
Rotating 360° retaining lip keeps cable cover secure.



### SPEED NUT™ HOSE CONNECTIONS

No more troublesome wire clamps. No tools or special hoses. Quick, easy repairs.



### DUAL BACK CAP SEAL

Provides positive gas seal and protection against "HF" current leakage.



### HIGH PERFORMANCE CABLE ASSEMBLIES

Soft, flexible over braided hoses and power cable provides maximum maneuverability. Larger tinned copper conductor.

**Revolutionary new design packed with performance features to meet today's TIG welding professional's needs.**

**Speedway™ Series sets a new track record.**

**INDEPENDENT WHOLESALE WELDING SUPPLY**

Ph: 02 8834 2400 Fax: 02 8834 2498 Email: [iwws@iwws.net](mailto:iwws@iwws.net) Website: [www.iwws.net](http://www.iwws.net)



# TIGMASTER®

## **SPEEDWAY™** SERIES

### HIGH PERFORMANCE TIG WELDING TORCHES

The new Speedway™ Series torches bring together the best in design, materials and workmanship to give today's professional TIG welder the features to achieve unprecedented weld results.

Features such as silver brazed copper construction which increases electrical current capacity and dissipates heat most efficiently giving long trouble free performance.

Resilient high temperature silicone rubber insulation with high dielectric properties prevent "HF" current leakage and resists chipping, cracking and withstands temperatures to 500°F. Modern soft over braided rubber hoses and power cables provide flexibility and maneuverability not available with traditional vinyl tube materials.

This is especially helpful in cold environments. Large tin plated copper conductors resist corrossions and have greater current carrying capacity than twin cable assemblies.

Speed Nut™ hose connections mean no more troublesome wire clamps. No tools or special hose assemblies required. Repairs or replacements are quick and simple with these positive finger nut connections.

The new Speed Bump™ ergonomic handle shape lays comfortably in the welders hand. The handle rotates 360° for the optimum position to allow long work cycles without tiring. The built-in retaining lip keeps the cable cover neatly and securely in place.

Quality construction, modern design and materials while retaining the use of industry standard head parts such as collets, collet bodies, gas lenses, back caps and nozzles.

This interchangeability keeps costs low and accessories readily available to keep these torches working for years to come.



#### SW-320 Deluxe Torch Package

<b>SW-320-12 DX</b>	12½ ft. Torch Pkg
<b>SW-320-12 DXHK</b>	12½ ft. Torch Pkg with Hook-Up Kit.
<b>SW-320-25 DX</b>	25 ft. Torch Pkg
<b>SW-320-25 DXHK</b>	25 ft. Torch Pkg with Hook-Up Kit.

#### SW-418 Deluxe Torch Package

<b>SW-418-12 DX</b>	12½ ft. Torch Pkg
<b>SW-418-12 DXHK</b>	12½ ft. Torch Pkg with Hook-Up Kit.
<b>SW-418-25 DX</b>	25 ft. Torch Pkg
<b>SW-418-25 DXHK</b>	25 ft. Torch Pkg with Hook-Up Kit.

#### OPTIONAL ACCESSORY KITS

##### AK-320 Deluxe Accessory Kit

For SW-320 Model.	Contains 1 Each.
Collets:	1/16", 3/32", 1/8"
Collet Bodies:	1/16", 3/32", 1/8"
Gas Lenses:	1/16", 3/32", 1/8"
Back Caps:	Medium, Short
Alumina Nozzles:	#5, #6
Alum. Gas Lens Nozzles:	#6, #7
Tungsten Electrodes:	1/16", 3/32", 1/8" x 7"

##### AK-418 Deluxe Accessory Kit

For SW-418 Model.	Contains 1 Each.
Collets:	3/32", 1/8", 5/32"
Collet Bodies:	3/32", 1/8", 5/32"
Gas Lenses:	3/32", 1/8", 5/32"
Gas Lens Insulator	
Back Caps:	Short
Alumina Nozzles:	#7, #8
Alum. Gas Lens Nozzles:	#7, #8
Tungsten Electrodes:	3/32", 1/8", 5/32" x 7"

**Deluxe Torch Package Includes:**  
Torch body, handle, over braided rubber hoses and power cable assembly, premium leather cable cover, 3/32 x 7" tungsten electrode, all back caps

**Deluxe Torch Package Includes:**  
Torch body, handle, over braided rubber hoses and power cable assembly, premium leather cable cover, 1/8" collet and collet body, #8 alumina nozzle, 1/8" x 7" tungsten electrode, both back caps.

	SW-320	SW-418
<b>Maximum Amperage Capacity (AC-DCSP)</b>	320 AMPS	420 AMPS
<b>Weight (Torch Body and Handle)</b>	3.0 oz (84 gm)	6.2 oz (174 gm)
<b>Tungsten Size Capacity</b>	.020" - 5/32" (0.5 - 4.0mm)	.020" - 5/32" (0.5 - 4.0mm)
<b>Maximum Tungsten Length</b>	7" (178mm)	7" (178mm)
<b>Cooling Requirements</b>	1 QT./min (.946 L/min)	1 QT./min (.946 L/min)
<b>Maximum Coolant Pressure</b>	50 psi (345 Kpa)	50 psi (345 Kpa)

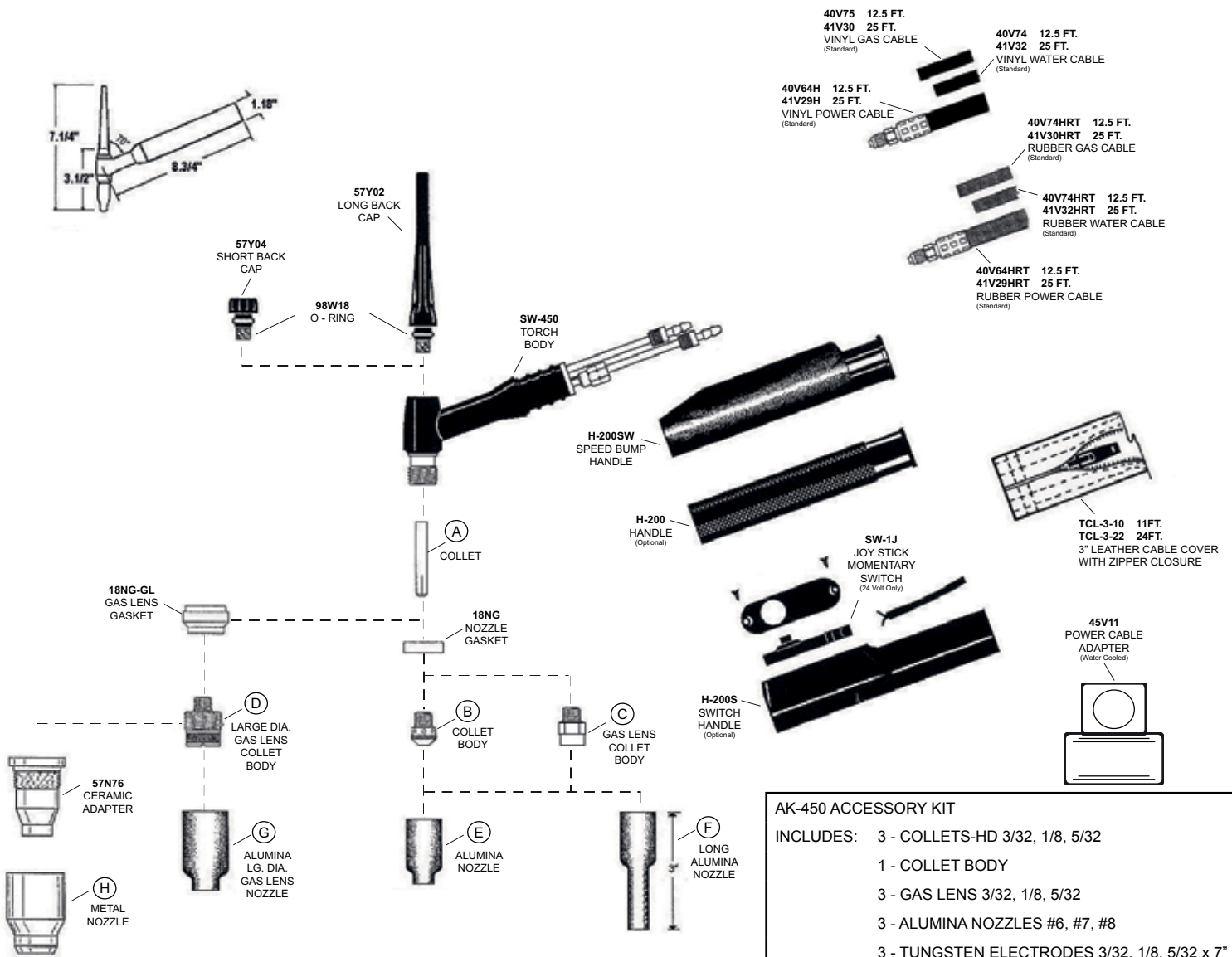
### INDEPENDENT WHOLESALE WELDING SUPPLY

Ph: 02 8834 2400 Fax: 02 8834 2498 Email: iwws@iwws.net Website: www.iwws.net

## SPEEDWAY SERIES

### REPLACEMENT PARTS

### SW-450 450 AMPS • WATER COOLED



**AK-450 ACCESSORY KIT**  
 INCLUDES: 3 - COLLETS-HD 3/32, 1/8, 5/32  
 1 - COLLET BODY  
 3 - GAS LENS 3/32, 1/8, 5/32  
 3 - ALUMINA NOZZLES #6, #7, #8  
 3 - TUNGSTEN ELECTRODES 3/32, 1/8, 5/32 x 7"

### COLLETS • COLLET BODIES • GAS LENS

ITEM	ELECTRODE DIAMETER	.040 1,0	1/16 1,6	3/32 2,4	1/8 3,2	5/32 4,0	3/16 4,8
A	COLLET	10N22HD	10N23HD	10N24HD	10N25HD	54N20HD	18C36
B	COLLET BODY	NCB-36					
C	GAS LENS	18GL04	18GL16	18GL32	18GL18	18GL53	18GL36
D	LG. DIA GAS LENS	45V94	45V95	45V96	45V97	45V98	45V99

### GAS NOZZLES

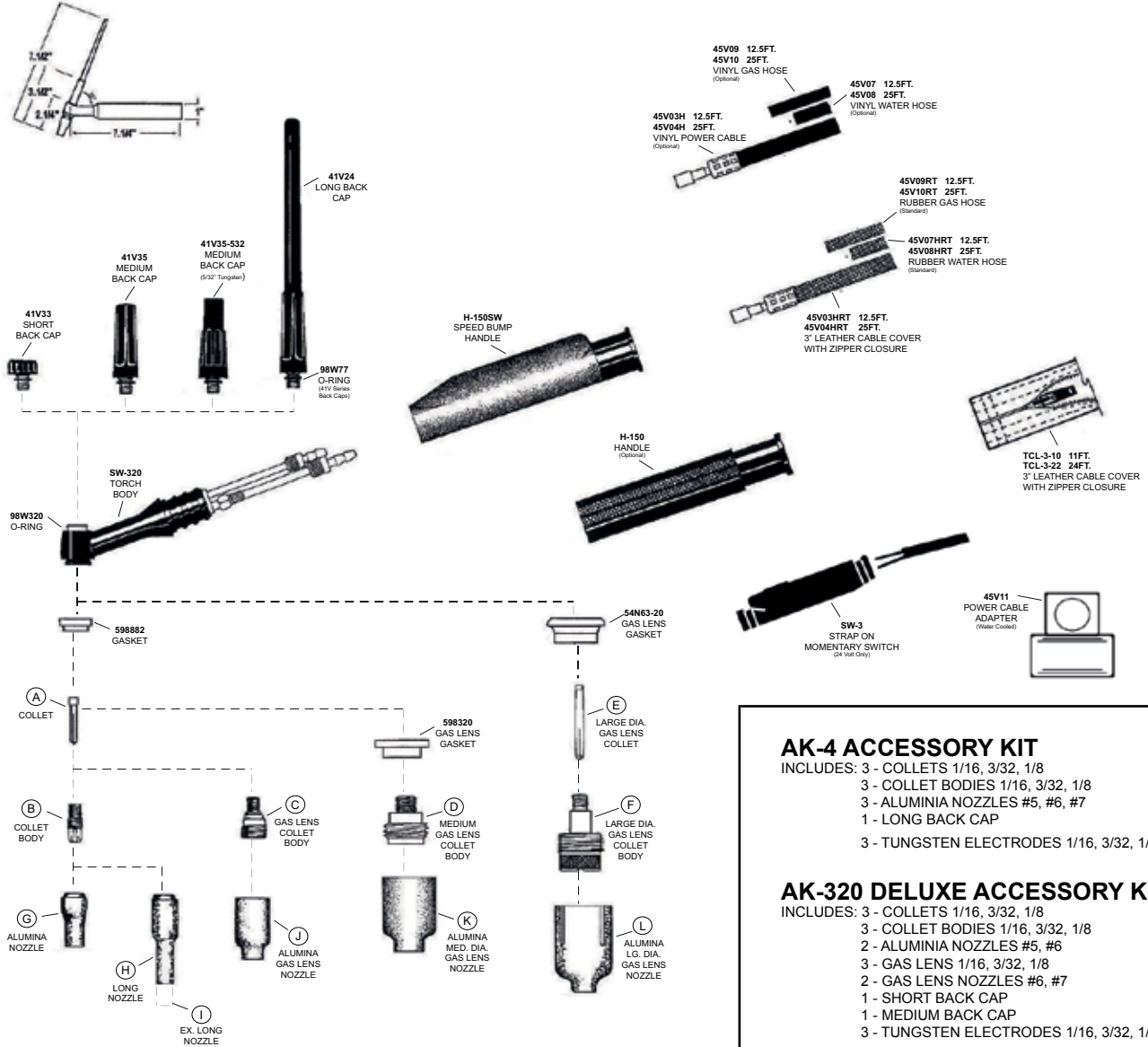
ITEM	NO. SIZE	4 1/4"	5 5/16"	6 3/8"	7 7/16"	8 1/2"	10 5/8"	11 11/16"	12 3/4"
E	ALUMINA	54N18	54N17	54N16*	54N15*	54N14*	—	54N19	—
F	LONG ALUMINA 3"	—	54N17L	54N16L	54N15L	—	—	—	—
G	ALUMINA LG. DIA. GAS LENS	—	—	57N75	—	57N74	53N88	—	53N87**
H	METAL	—	—	—	—	—	57N78	—	57N77

\* Nozzles Available In HPS High Performance Series (Grey Color).  
 \*\* #15 53N89 15/16" ID x 1 7/8" Long.



## REPLACEMENT PARTS

### SW-320 320 AMPS • WATER COOLED



#### AK-4 ACCESSORY KIT

- INCLUDES: 3 - COLLETS 1/16, 3/32, 1/8  
 3 - COLLET BODIES 1/16, 3/32, 1/8  
 3 - ALUMINIA NOZZLES #5, #6, #7  
 1 - LONG BACK CAP  
 3 - TUNGSTEN ELECTRODES 1/16, 3/32, 1/8 x 7"

#### AK-320 DELUXE ACCESSORY KIT

- INCLUDES: 3 - COLLETS 1/16, 3/32, 1/8  
 3 - COLLET BODIES 1/16, 3/32, 1/8  
 2 - ALUMINIA NOZZLES #5, #6  
 3 - GAS LENS 1/16, 3/32, 1/8  
 2 - GAS LENS NOZZLES #6, #7  
 1 - SHORT BACK CAP  
 1 - MEDIUM BACK CAP  
 3 - TUNGSTEN ELECTRODES 1/16, 3/32, 1/8 x 7"

#### COLLETS • COLLET BODIES • GAS LENS

ITEM	ELECTRODE DIAMETER	.020 0,5	.040 1,0	1/16 1,6	3/32 2,4	1/8 3,2	5/32* 4,0
A	COLLET	13N20	13N21	13N22	13N23	13N24	13NC532
B	COLLET BODY	13N25	13N26	13N27	13N28	13N29	13NCB532
C	GAS LENS	45V41	45V42	45V43	45V44	45V45	—
D	MED. DIA. GAS LENS	—	45V34SW	45V35SW	45V36SW	45V37SW	45V38SW
E	LG. DIA GAS LENS COLLET	13N20L	13N21A	13N22L	13N23L	13N24L	—
F	LG. DIA GAS LENS	45V0204S		45V116S	45V64S	995795S	—

#### GAS NOZZLES

ITEM	NO. SIZE	3 3/16"	4 1/4"	5 5/16"	6 3/8"	7 7/16"	8 1/2"	10 5/8"	11 11/16"	12 3/4"
G	ALUMINA	—	13N08	13N09	13N10	13N11	13N12	13N13	—	—
H	LONG 17/8"	796F70	796F71	796F72	796F73	—	—	—	—	—
I	EX. LONG 21/2"	796F74	796F75	796F76	796F77	—	—	—	—	—
J	ALUMINA GAS LENS	—	53N58	53N59	53N60	53N61	53N61S	—	—	—
K	ALUMINA MED. DIA. GAS LENS	—	—	—	54N16SW	54N15SW	54N14SW	54N12SW	54N19	—
L	ALUMINA LG. DIA. GAS LENS	—	—	—	57N75	—	57N74	53N88	—	53N87**

\* 41V35-532 Medium Back Cap Required To Use 5/32 Parts

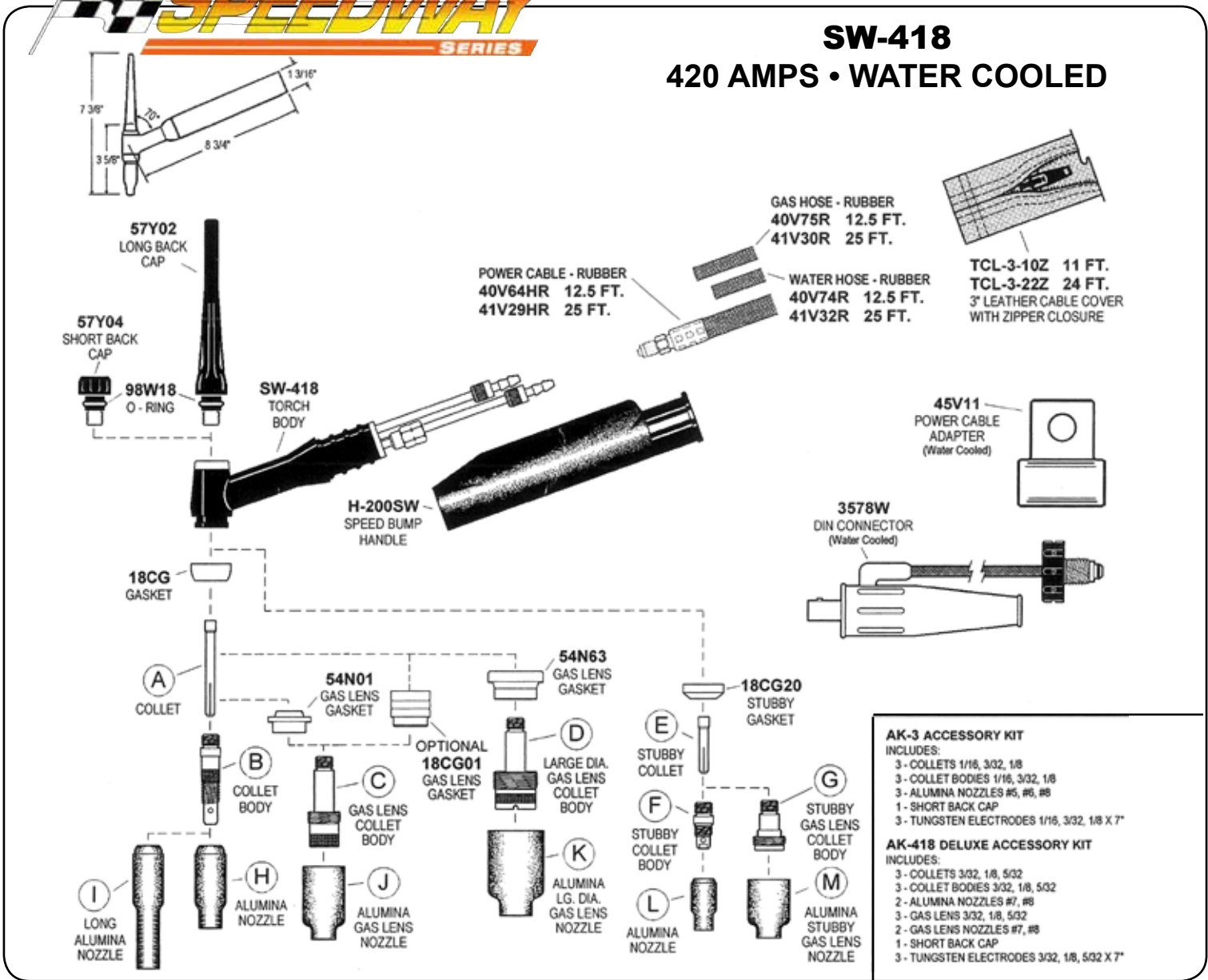
\*\* #15 53N89 15/16" ID x 1 7/8" Long.

## SPEEDWAY SERIES

### REPLACEMENT PARTS

#### SW-418

#### 420 AMPS • WATER COOLED



- AK-3 ACCESSORY KIT**  
INCLUDES:  
3 - COLLETS 1/16, 3/32, 1/8  
3 - COLLET BODIES 1/16, 3/32, 1/8  
3 - ALUMINA NOZZLES #5, #6, #8  
1 - SHORT BACK CAP  
3 - TUNGSTEN ELECTRODES 1/16, 3/32, 1/8 X 7"
- AK-418 DELUXE ACCESSORY KIT**  
INCLUDES:  
3 - COLLETS 3/32, 1/8, 5/32  
3 - COLLET BODIES 3/32, 1/8, 5/32  
2 - ALUMINA NOZZLES #7, #8  
3 - GAS LENS 3/32, 1/8, 5/32  
2 - GAS LENS NOZZLES #7, #8  
1 - SHORT BACK CAP  
3 - TUNGSTEN ELECTRODES 3/32, 1/8, 5/32 X 7"

### COLLETS • COLLET BODIES • GAS LENS

### GAS NOZZLES

ITEM	ELECTRODE DIAMETER	.020 0,5	.040 1,0	1/16 1,6	3/32 2,4	1/8 3,2	5/32 4,0	
A	COLLET	10N21	10N22	10N23	10N24	10N25	54N20	
B	COLLET BODY	10N29	10N30	10N31	10N32	10N28	406488	
C	GAS LENS	45V29	45V24	45V25	45V26	45V27	45V28	
D	LG. DIA GAS LENS	45V0204		45V116	45V64	995795	45V63	
E	STUBBY COLLET	10N21S	10V22S	10N23S	10N24S	10N25S	54N20S	
F	STUBBY COLLET BODY	17CB20						—
G	STUBBY GAS LES	45V29S	45V24S	45V25S	45V26S	45V27S	45V28S	

ITEM	NO. SIZE	4 1/4"	5 5/16"	6 3/8"	7 7/16"	8 1/2"	10 5/8"	11 11/16"	12 3/4"
H	ALUMINA NOZZLE	10N50	10N49	10N48	10N47	10N46	10N45	—	10N44
I	ALUMINA 3" LONG	—	10N49L	10N48L	10N47L	—	—	—	—
J	ALUMINA GAS LENS	54N18	54N17	54N16	54N15	54N14	—	54N19	—
HPS*		—	—	—	54N15HPS	54N14HPS	—	—	—
K	ALUMINA LG. DIA. GAS LENS	—	—	57N75	—	57N74	53N88	—	53N87
L	ALUMINA NOZZLE	13N08	13N09	13N10	13N11	13N12	13N13	—	—
M	ALUMINA STUBBY GAS LENS	—	—	54N16SW	54N15SW	54N14SW	54N12SW	54N19	—

Specifications and descriptions subject to change without notice

\*Nozzles available in HPS High Performance Series (grey colour)